

DL-855P28B-S8-S | BioSense Series

5MP BioSense Motorized Lens Dome IP Camera



- 1/2.7" 5MP CMOS Sensor
- H.265 Dual stream encoding
- High-quality optical lens: 3.6-10.8mm
- 30m IR effective range
- Built-in PoE
- Built-in micro-SD card slot (support max. 256GB)
- Embedded intelligent classification algorithm based on computer vision technology
- Multiple intelligent video analytic features
- Support multiple browsers web client
- Remote viewing with mobile application and platform software
- Lightning protection up to 6K V
- IP67 metal casing & IK10

Product Overview

BioSense Series IP Camera is the front-end of intelligent video surveillance solution released by ZKTeco based on the Deep-Learning algorithm and Computer Vision technology.

By using advanced and powerful CPU, couple with the embedded intelligent classification algorithm based on computer vision technology, the BioSense IP Cameras can accurately detect and recognize 3 key types of target: human, vehicles and objects, meanwhile effectively filter out the other useless objects such as: animals, leaves, shadows, and rain, etc to reduce the false alarms, and more focusing on the important alarms.

The BioSense IP Camera can greatly help to improve the efficiency and safety of the entire video surveillance system, can be widely used in different scenario such as smart school, office, industrial park, community, public security, etc.

Core Features

H.265 HEVC

H.265 is an evolutionary optimization of the traditional H.264, it includes a series of encoding strategy such as ROI, smart 2D/3D noise reduction, etc. Delivering high quality video with up to 70% lower bandwidth.

IVA (Intelligent Video Analytics)

The BioSense IP Cameras support multiple intelligent video analytic functions: Target Counting, Object Lost/Left, and the Line Crossing, Area detection, Smart Motion Detection supports human and vehicle targets classification.

True WDR

Powered by ZKTeco's powerful ISP algorithm and high quality sensor, the BioSense Series IP Cameras are built-in with true wide dynamic range feature, can present excellent picture images at extreme contrast lighting environment.

ANR (Only for SD card models)

While the connection lost between IPC and NVR, the video will be saved in SD card. The saved video will be auto replenished to NVR when network recovers to avoid any video lost.

Protection

With precise mechanical and rugged metal casing design, the BioSense Series IP Cameras can stand against water and dust with industrial IP67 rank, and support to work at variety of harsh outdoor environments such as temperature range -30°C to +60 °C, etc.

Technical Specification

Camera

Model	DL-855P28B-S8-S
Image Sensor	1/2.7" 5MP CMOS
Max.Resolution	2592(H)*1944(V)
ROM	128MB
RAM	256MB
Scanning System	Progressive Scan
Electronic Shutter Speed	1/5 s to 1/100,000 s
Min. Illumination	0.001Lux@F1.7~3.3 (AGC on, Color) 0 lux (IR on, B&W)
S/N Ratio	>52dB
IR Range	30 m
Illuminator On/Off Control	Auto/Manual
Illuminator Number	4*IR LED
Smart IR	Support
Angle Adjustment for Installation	Pan: 0°-360° Tilt: 0°-90° Rotation: 0°-360°
TV System	PAL/NTSC
Image Settings	Trigger mode, Brightness, Contrast, Saturation, Hue, Sharpness, AGC, White balance, Gamma, Backlight mode, adjustable by platform software or web browser
Software Reset Default	Support
General Function	Heartbeat, Mirror, Privacy mask, Log, Password reset

Lens

Lens Type	Motorized vari-focal				
Lens Mount	M22				
Mount Type	Board-in				
Focal Length	3.6~10.8mm				
Max. Aperture	F1.7~3.3				
Optical Zoom	3X				
Field of View	FOV: 32°~98° Horizontal: 108°-33° Vertical: 57°-18° Diagonal: 130°-38°				
Iris Type	Fixed				
Close Focus Distance	2 m				
DORI Distance	Lens	Detect	Observe	Recognize	Identify
	Wide	28.8 m	19.6 m	11.0 m	6.0 m
	Telephoto	100.4 m	40.6 m	20.7 m	9.2 m

Video

Video Compression	H.265 / H.264
Resolution	5MP(2592*1944) / 4MP(2560*1440) / 3MP(2304*1296) / 1080P (1920*1080) / 1.3MP (1280*960) / 720P (1280*720) / D1 (704*576) / VGA (640*480) / Q720 (640*360)

Max Video Frame Rate	Main stream:	50Hz (PAL): 25fps (2592*1944,1920*1080, 1280*960, 1280*720) 60Hz (NTSC): 30fps (2592*1944,1920*1080, 1280*960, 1280*720)
	Sub stream:	50Hz (PAL): 25fps (704*576, 640*480, 640*360) 60Hz (NTSC): 30fps (704*576, 640*480, 640*360)
	Third stream:	N/A
Video Stream Capability	Dual streams	
Bit Rate Control	CBR / VBR	
Video Bit Rate	H.264: 192kbps–8Mbps H.265: 224Kbps ~ 8Mbps	
Day/Night	Auto (ICR) / Color / B&W	
BLC	Support	
HLC	Support	
WDR	True WDR	
Scene Self-adaptation	Support	
White Balance	Auto, Custom, Locked, Incandescent lamp, Warm light, Natural light, Fluorescent lamp	
Gain Control	Low, Mid low, Mid, Mid high, High	
Noise Reduction	2D / 3D NR	
Motion Detection	Smart /Ordinary (4 areas)	
Region of Interest (ROI)	Support (4 areas, Level 1~6)	
Defog	N/A	
Mirror	Support	
Image Rotation	0°/90°/180°/270°/Horizontal/Vertical	
Privacy Masking	4 areas	
Corridor Mode	Support	
Digital Zoom	Support	
Anti-flicker	N/A	
Audio		
Built-in MIC	N/A	
Audio Compression	G.711ulaw	
Environment Noise Filtering	Support	
Audio Sampling Rate	8 kHz/16 kHz/32 kHz/44.1 kHz/48 kHz	
Audio Bit Rate	64 Kbps (G.711ulaw)	
Intelligent Video Analytics		
IVA (Perimeter Protection)	Target Count, Object Lost/Left, Line Crossing, Area detection, Smart Motion Detection (human and vehicle targets classification)	
Intelligent Search	Embedded intelligent classification algorithm based on computer vision technology	
Intelligent Video	Support fast retrieval by human & vehicle targets classification, playback and backup	
Face Detection		
Face Templates	N/A	
Face Quality Filtering	N/A	
Face Detected Per Frame	N/A	
Detection Area	N/A	
Detected Face Size	N/A	
Capture Response	N/A	

Alarm	
Basic Alarm Event	Network disconnection, IP conflict, Illegal access, Motion detection, Video tampering, External alarm
Smart Alarm Event	Target Count, Object Lost/Left, Line Crossing, Area detection, Smart Motion Detection (human and vehicle targets classification)
Alarm Linkage Actions	Upload to memory card/FTP, notify surveillance center, trigger recording, trigger capture, send email
Network	
Simultaneous Live View	Up to 15 channels
Network	1 RJ45 10 M/100 M self-adaptive Ethernet port
SDK and API	Support SDK, API and ONVIF
Cyber Security	Video encryption; firmware encryption; configuration encryption; account lockout; security logs; IP filtering; trusted boot; trusted execution; trusted upgrade; password protection; complicated password; basic and digest authentication for HTTP/HTTPS; TLS; IP address filter; Security Audit Log
Protocol	TCP/IP, HTTP, HTTPS, FTP, DHCP, DNS, DDNS, RTSP, NTP, UPnP, SMTP, IPv4, UDP, SSL/TLS, PPPoE, SNMP, WebSocket
Interoperability	ONVIF Profile S/T/G
User/Host	Up to 256 users can be added. 3 user levels: admin, operator and guest
Network Storage	FTP, Micro SD card, auto network replenishment (ANR)
Web Browser	IE / Edge /Firefox / Chrome / Safari
Management Software	AntarVis 2.0/ZKBioSecurity IVS/ZKBioAccess IVS/ZKBio CVSecurity/ZKBio CVAccess
Mobile Application	AntarView Pro+ (iOS & Android)
On-Board Storage	Micro-SD Card Slot (support max. 256GB)
Operation System	Windows
P2P Cloud Service	Support
Port	
Audio Input	1 (RCA port)
Audio Output	1 (RCA port)
Alarm Input	2 (5 mA 3V–5 VDC each)
Alarm Output	1 (300 mA 12 VDC each)
Interface	
Reset Button	Support
ANR	Support
USB	N/A
RS485	Support
General	
Power	
Power Supply	PoE (IEEE802.3af,Class 3), DC 12V±10% reverse polarity protection
Power Consumption	Basic ≤ 3W (12 VDC); 4.5 W (PoE)
Power Interface	Ø 5.5 mm coaxial power plug
Structure	
Casing Material	Aluminium Alloy
Dimensions	Φ102 * 93.3(mm)
Net Weight	0.50kg
Gross Weight	0.70kg

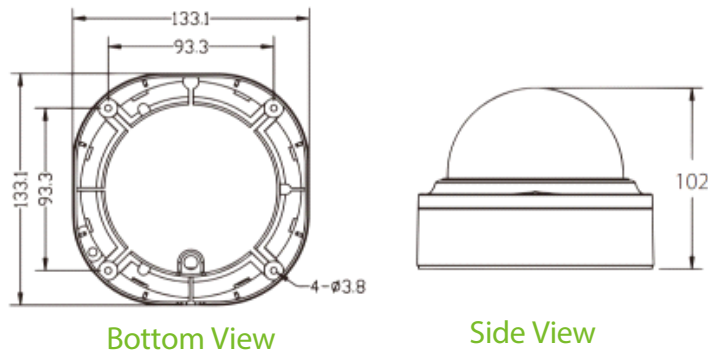
Environment

Operating Conditions	-30 °C to +60 °C (-22 °F to +140 °F)/ Humidity 95% or less (non-condensing)
Storage Conditions	-30 °C to +60 °C (-22 °F to +140 °F) /Humidity 95% or less (non-condensing)
Protection Grade	IP67,IK10
Certifications	
Certificates	ISO9001;ISO14001;CE; FCC

Ordering Information

Type	Model	Description
5MP IP Camera	DL-855P28B-S8-S	5MP BioSense Motorized Lens Dome IP Camera

Dimension (mm)



Accessories

Optional:	Junction Box	Junction Box with Straight Bracket	Junction Box with Bent Bracket	Corner Mount Bracket	Pole Mount Bracket
Model	GB01	GB02	GB03	MT03	MT04
Picture	