

Installation Guide

Model: ZL600

Lock Body: European Standard Mortise Lock Case

Version: 1.0

English

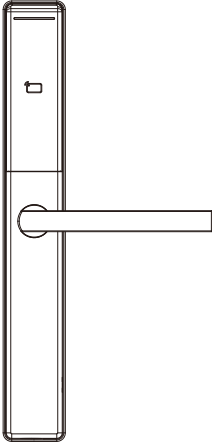
Cautions

1. A new lock is defined as always in open mode until it is locked once by a IC S50/S70 card.
2. Please register an authorized card, a time sync card, and a room card initially for the new lock.
3. The lock is equipped with keys for manual unlocking. Remove the keys from the package and keep them in a safe place.
4. To power on the lock, four alkaline AAA batteries (not included) are required. Non-alkaline and rechargeable batteries ARE NOT RECOMMENDED.
5. Do not remove the batteries when the lock is in working state.
6. When the battery power is low, the lock will beep to remind the user to replace the batteries. Make sure not to mix up the polarities while replacing the batteries.
7. Avoid contact with corrosive substances. Do not hang any object on the handle.
8. The built-in software manages the operation of access cards. Please refer the software user manual.
9. For further queries, please contact the seller.

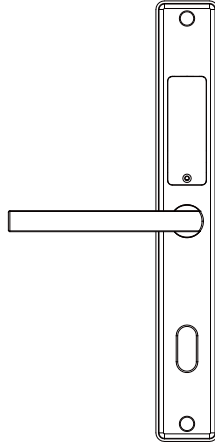
Table of Contents

What's in Box.....	2
Installation Diagram.....	3
Installation Procedure.....	3
1. Door Opening Direction.....	3
2. Drilling Holes on the Door.....	5
3. Installation of Mortise.....	6
4. Installation of Outdoor Unit.....	7
5. Installation Indoor Unit.....	8
6. Install Batteries.....	8
7. Installation of Strike Plate and Box.....	9
8. Test the Lock by Mechanical Key.....	10

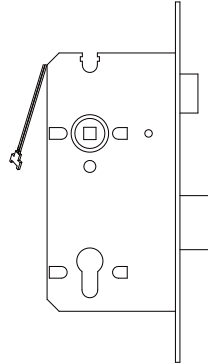
What's in Box



Outdoor Unit



Indoor Unit



Mortise



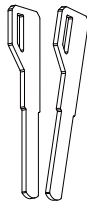
Cylinder



Spindle A



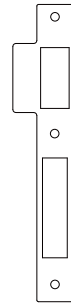
Spindle B



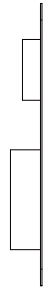
Keys



Studs



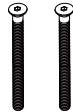
Strike Plate and Box



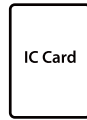
Screw A



Screw B



Screw C



IC Card



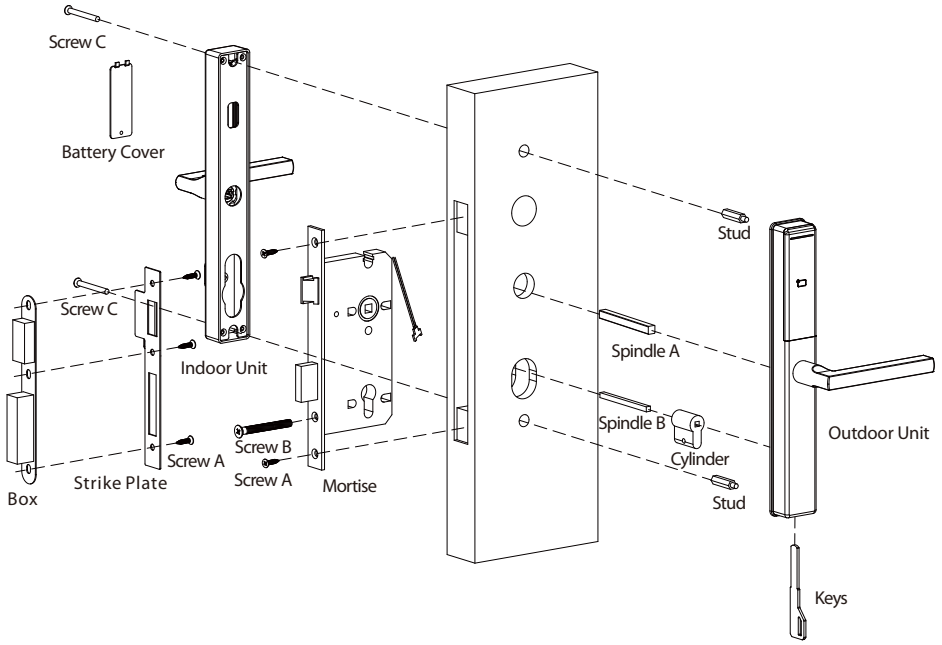
Hex Wrench A



Hex Wrench B

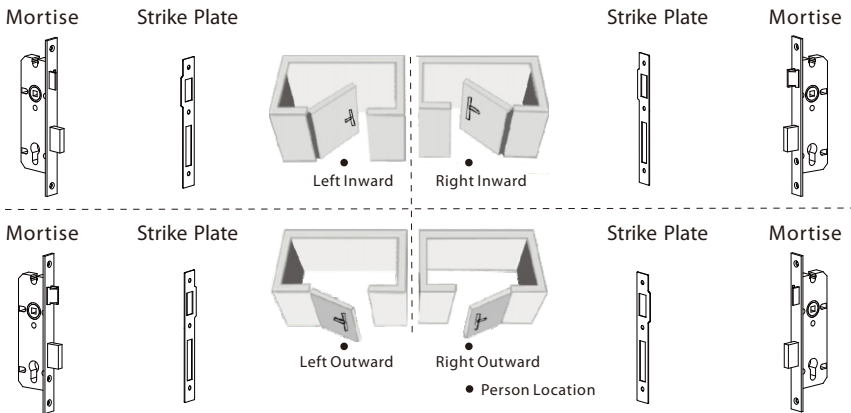
Note: This lock is ideal for doors with a thickness of 32 mm to 58 mm. This lock will not fit on a door that is thicker than 58 mm. Please contact the salesperson if you have any queries.

Installation Diagram



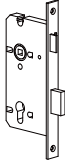
Installation Procedure

1 Door Opening Direction

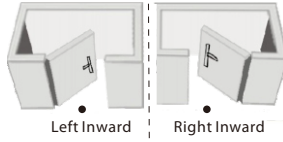


3085 Mortise

Mortise



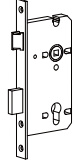
Strike Plate



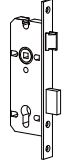
Strike Plate



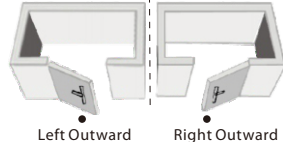
Mortise



Mortise



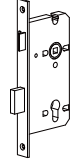
Strike Plate



Strike Plate



Mortise



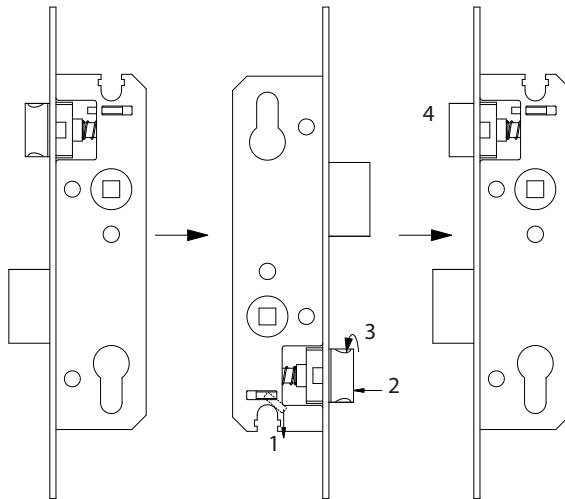
6085 Mortise

Note: Please install the Mortise and Strike Plate according to the above illustration.

Adjust the Latch's Direction (if necessary)

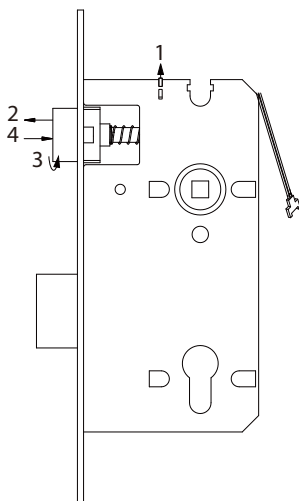
❖ Adjustment of 3085 Mortise

- 1) When you rotate the mortise 180 degrees, the fastener will dropdown.
- 2) Insert the latch into the mortise.
- 3) Disentangle the latch by turning it to 180 degrees.
- 4) Rotate the mortise to 180 degrees again.



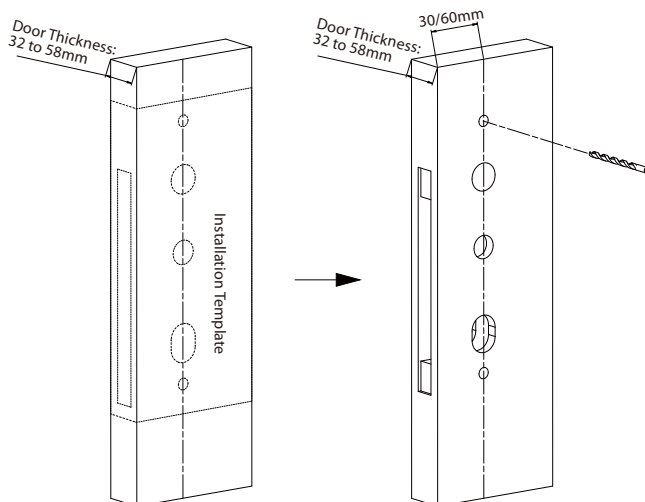
❖ Adjustment of 6085 Mortise

- 1) Push Up the fastener.
- 2) The latch pops up.
- 3) Rotate the latch 180 degrees.
- 4) Push the latch back.



2 Drilling Holes on the Door

- 1) Paste the Installation Template at the desired handle height.
- 2) Mark for the holes to be drilled and drill the marked places.

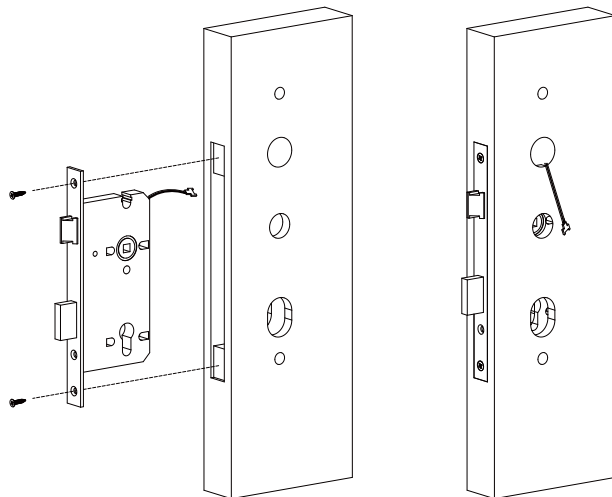


3 Installation the Mortise

- 1) Insert the mortise into the drilled hole, secure it with Screw A, and make sure the cable is towards the outdoor unit.



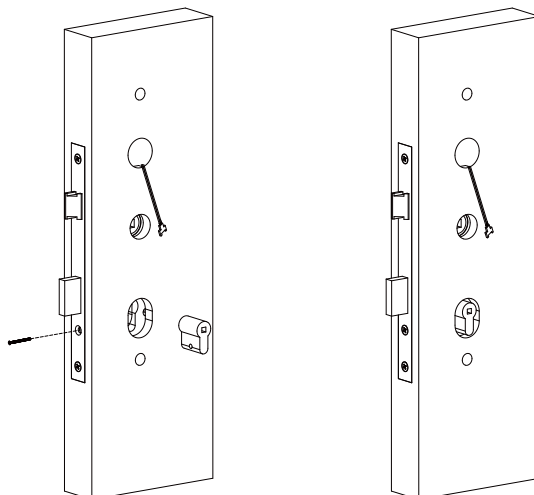
Screw A



- 2) Insert the Cylinder, then secure it with Screw B.



Screw B

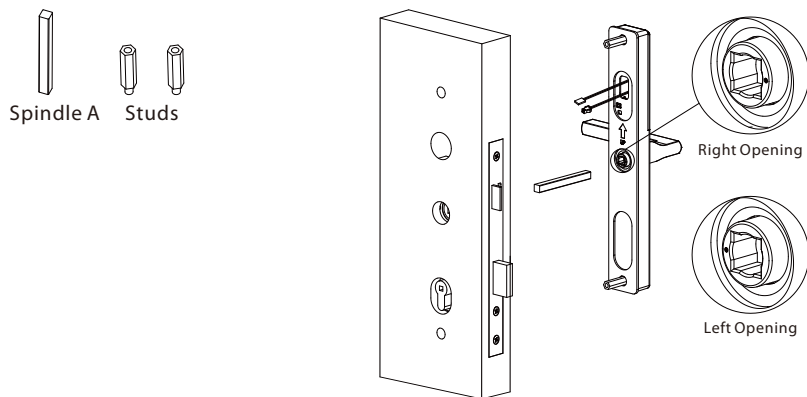


4 Installation the Outdoor Unit

❖ Method of 3085 Mortise

- 1) Install the **Studs** on the back of the **Outdoor Unit**.
- 2) Insert a **Spindle A** into the clutch toward **Outdoor Unit**.
- 3) Attach the **Outdoor Unit** to the door.

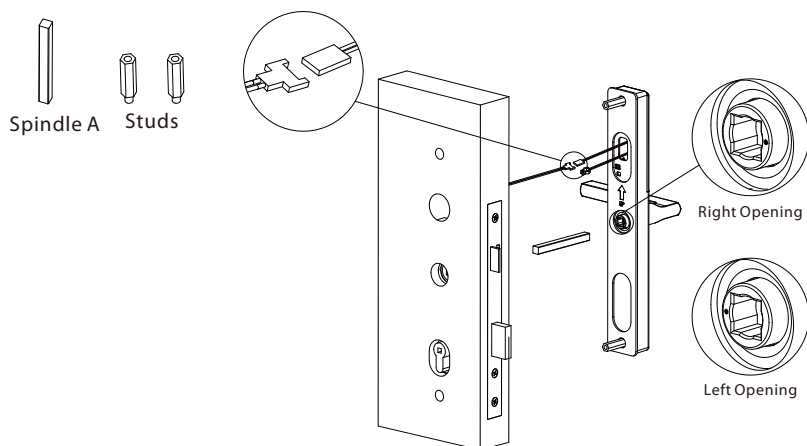
Note: Please pay attention to the point of clutch, the point is at right side when right opening, the point is at left side when left opening.



❖ Method of 6085 Mortise

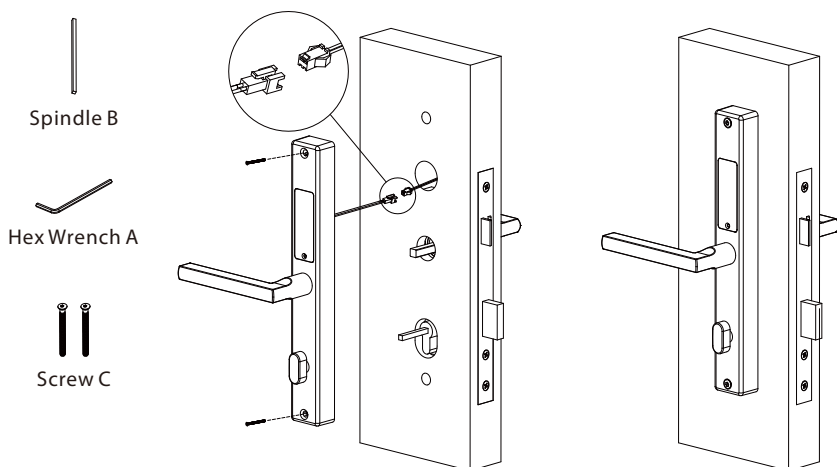
- 1) Install the **Studs** on the back of the **Outdoor Unit**.
- 2) Insert a **Spindle A** into the clutch toward **Outdoor Unit**.
- 3) Attach the **Outdoor Unit** to the door by connecting the 2 PIN cable of **6085 Mortise** with mainboard.

Note: Please pay attention to the point of clutch, the point is at right side when right opening, the point is at left side when left opening.



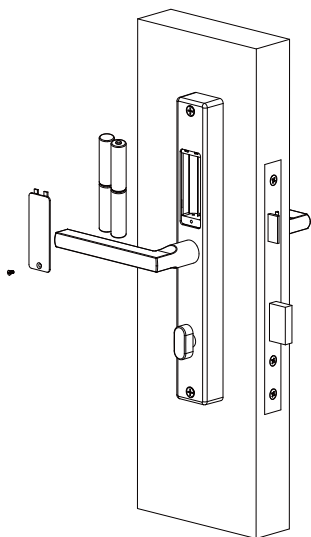
5 Installation Indoor Unit

- 1) Insert the **Spindle B** into the cylinder and turn it to **45°**.
- 2) Connect the battery cable with the mainboard.
- 3) Secure the Indoor Unit with 2 **Screws C** by **Hex Wrench A**.



6 Install Batteries

To install batteries, remove the Battery Cover with Hex Wrench B, then reinstall it.

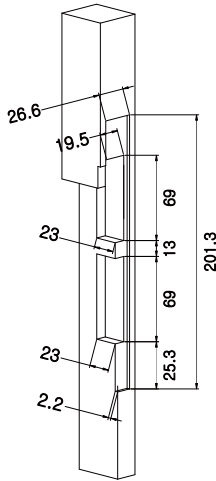


7 Installation of Strike Plate and Box

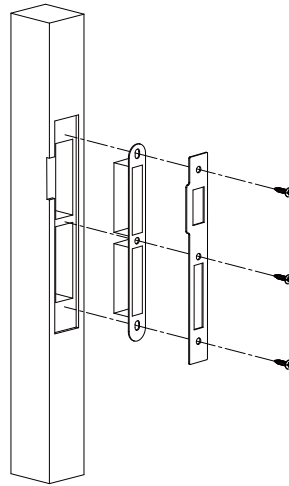
- 1) Make sure that the Strike Box is aligned with the latch bolt. Then, use the Installation Template to drill holes.
- 2) Align the Strike Plate and Box with the drilled holes and secure them with Screw A.



Screw A



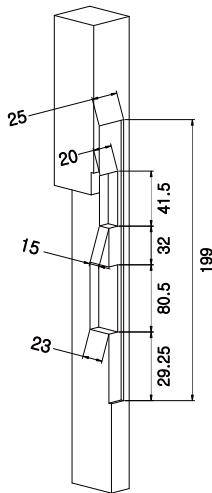
3085 Mortise



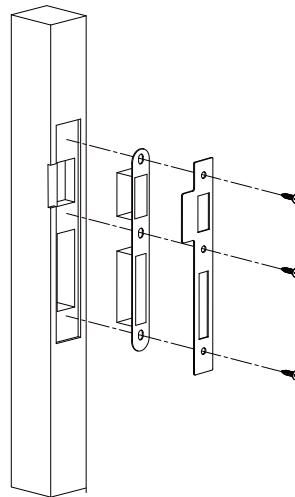
Unit: mm



Screw A



6085 Mortise



Unit: mm

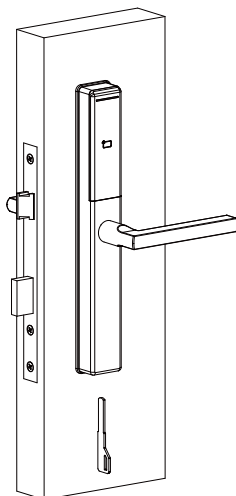
8 Test the Lock by Mechanical Key

Insert one of the key and rotate it to 90° and then press the outdoor unit handle, if the latch backs up, it means exact.

Note: The handle of outdoor unit is always free.



Keys





Warning:

This device complies with Part 15 of the FCC Rules. Operation is subject to the following two conditions: (1) This device may not cause harmful interference, and (2) this device must accept any interference received, including interference that may cause undesired operation.

This equipment has been tested and found to comply with the limits for a Class B digital device, pursuant to Part 15 of the FCC Rules. These limits are designed to provide reasonable protection against harmful interference in a residential installation. This equipment generates, uses, and can radiate radio frequency energy and, if not installed and used in accordance with the instructions, may cause harmful interference to radio communications. However, there is no guarantee that interference will not occur in a particular installation. If this equipment does cause harmful interference to radio or television reception, which can be determined by turning the equipment off and on, the user is encouraged to try to correct the interference by one or more of the following measures:

- Reorient or relocate the receiving antenna.
- Increase the separation between the equipment and receiver.
- Connect the equipment into an outlet on a circuit different from that to which the receiver is connected.
- Consult the dealer or an experienced radio/TV technician for help.

FCC RF Radiation Exposure Statement:

- This Transmitter must not be co-located or operating in conjunction with any other antenna or transmitter.
- This equipment complies with RF radiation exposure limits set forth for an uncontrolled environment.

IMPORTANT! Any changes or modifications not expressly approved by the party responsible for compliance could void the user's authority to operate the equipment.

ZKTeco Industrial Park, No. 32, Industrial Road,
Tangxia Town, Dongguan, China.

Phone : +86 769 - 82109991

Fax : +86 755 - 89602394

www.zkteco.com

