

Explorer Series EP10C

Outdoor Multi-tech Smart Reader
Quick Install Guide

www.armatura.us

The EP10C reader is one of the most compact multi-frequency RFID readers available that supports over 100 RFID card types and both NFC and Bluetooth Low Energy credentials. Installs on narrow surfaces, Single-Gang, European-standard gang box and Asian standard boxes to fit all kinds of installation environments.

Parts Included

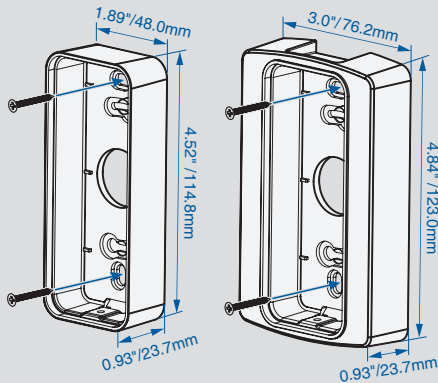
Make sure your box contains everything listed. If any pieces are missing, contact your dealer. Please save the original box and packing materials if you ever need to ship your device.

- EP10C Reader (1pc)
- Quick Install Guide (1pc)
- Mullion Plate (1pc) and Single-Gang Plate (1pc)
- Screwdriver(1pc)
- Grub screw/Countersunk KA3.6 x 40mm self – tapping screws (2pcs) and Anchors (4pcs) – for mounting directly to a wall (no junction box)
- Grub screw/Countersunk M3 x 7mm screw (1pc) – for fixing the reader to the mounting plate

Recommended Parts(not supplied)

- Cable
- 5-10 conductor (Wiegand)
- 4 conductor Twisted Pair Over-All Shield and UL approved, Belden 3107A or equivalent (OSDP)
- Certified LPS DC power supply
- Metal or plastic junction box
- Drill with various bits for mounting hardware
- Mounting hardware

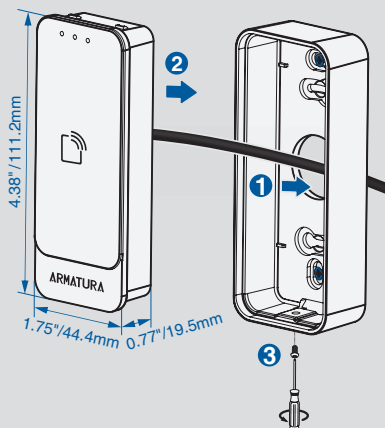
1 Mounting The Plate



- Attach the mounting template sticker to the wall, and drill holes according to the mounting sticker.
- Fix the mounting plate on the wall using the self-tapping screws.

CAUTION: Users can choose to install the mullion plate or the gangbox plate according to actual needs.

2 Attach The Reader To The Mounting Plate



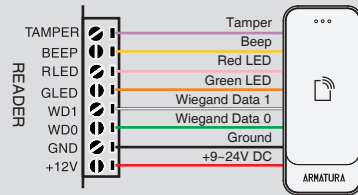
- Pass the cable of the reader through the wiring hole of the mounting plate.
- Place the reader into the mounting plate until it fits perfectly.
- Fasten the reader to the mounting plate with the provided screw.

3 Reader Connection

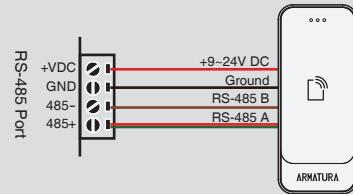
EP10C series can communicate with the control panel via either RS-485 (OSDP) or Wiegand

Pigtail	Description
Red	+9~24V DC
Black	Ground
Red/Green	RS-485 A
Brown	RS-485 B
Bare	Drain
Green	Wiegand Data 0
White	Wiegand Data 1
Orange	Green LED Input
Pink	Red LED Input
Yellow	Beep Input
Violet	Tamper

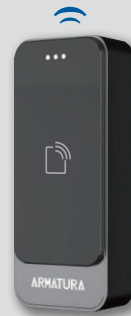
1. Connection via Wiegand.



2. Connection via RS-485 (OSDP).



4 Using And Testing The Reader



Power the reader on, the reader will beep and the LED's will flash.



Present the card face-on to the reader until you hear a "beep". Reader is now working correctly.

5 Frequency Bands And Maximum Output Power

Frequency bands	Maximum output power
2402MHz - 2480MHz	7.08dBm
125kHz	-24.83dBuA/m@10m
13.56MHz	4.21 dBuA/m@10m

6 Certificate Information



FCC+CE

"Hereby, Armatura LLC declares that this Product is in compliance with the essential requirements and other relevant provisions of Directive 2014/53/EU.

This device complies with Part 15 of the FCC Rules.

Operation is subject to the following two conditions:

(1) This device may not cause harmful interference, and (2) This device must accept any interference received, including interference that may cause undesired operation.

Warning: Changes or modifications to this unit not expressly approved by the party responsible for compliance could void the user's authority to operate the equipment.

Note: This equipment has been tested and found to comply with the limits for a Class B digital device, pursuant to Part 15 of the FCC Rules. These limits are designed to provide reasonable protection against harmful interference in a residential installation. This equipment generates, uses and can radiate radio frequency energy and, if not installed and used in accordance

with the instructions, may cause harmful interference to radio communications. However, there is no guarantee that interference will not occur in a particular installation. If this equipment does cause harmful interference to radio or television reception, which can be determined by turning the equipment off and on, the user is encouraged to try to correct the interference by one or more of the following measures:

- Reorient or relocate the receiving antenna.
- Increase the separation between the equipment and receiver.
- Connect the equipment into an outlet on a circuit different from that to which the receiver is connected.

"This equipment complies with FCC RF radiation exposure limits set forth for an uncontrolled environment.

This equipment should be installed and operated with a minimum distance of 20cm between the radiator and your body.

This transmitter must not be co-located or operating in conjunction with any other antenna or transmitter."