

# SBTL8200 WP

Speed Gate with IPX4



SBTL8200 WP is a dual-lane speed gate designed and served as an additional lane besides SBTL8000 WP to meet specific client requirements. It is designed for smooth and silent operation and draws very little power. With ingress protection of IPX4, turnstiles can be used outdoor even in bad weather.

SBTL8200 WP barriers are usually held in locked status, thus denying access to the secured side. Upon the SBTL8200 WP's reader (RFID and/or fingerprint verification) positively recognizing a user's valid access card or fingerprint, its barriers swing automatically, thus allowing users passage to the secured side. During a power outage, the user can push through the barrier easily to exit to safety. SBTL8200 WP provides both security and convenient space, all in a very durable and elegant compact design.

## Features

### Reliability

- Turnstiles can be used outdoor even in bad weather (IPX4 certified)
- SUS304 stainless steel casework ensure long-lasting durability
- High quality electrical components

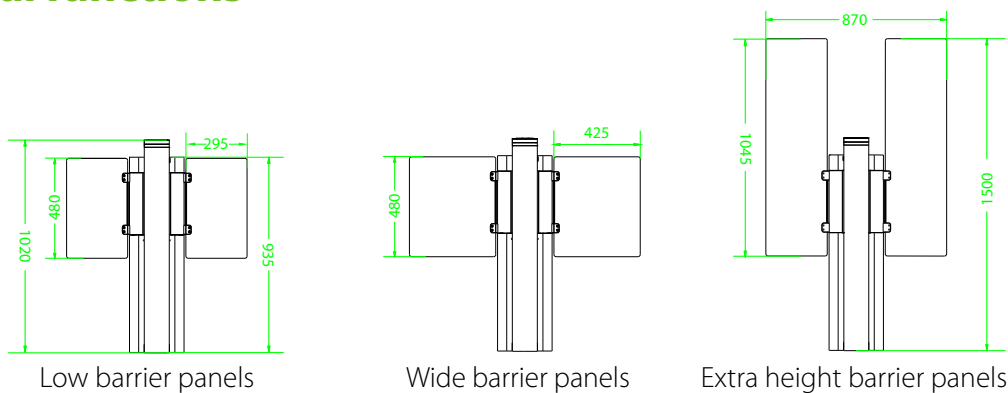
### Safety

- Anti-collision
- Barrier unlock automatically during a power outage
- Fast and straightforward card and fingerprint authentication

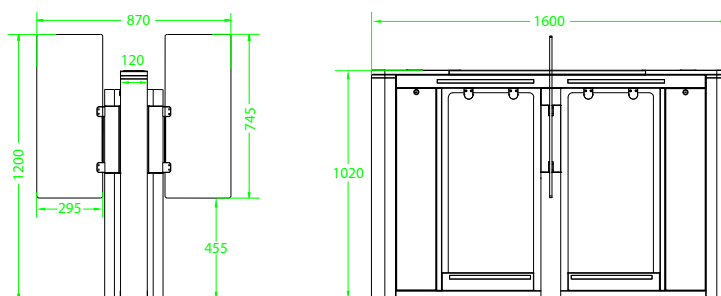
# Specifications

Power Requirements	AC 100 ~ 120V/200 ~ 240V, 50/60Hz
Working Temperature	-28°C~ 60°C
Working Humidity	20%-95% (Non-condensing)
Working Environment	Indoor/Outdoor
Speed of Throughput	Maximum 40/ minute
Lane Width (mm)	660
Footprint (mm*mm)	1600*870
Dimensions (mm)	L=1600, W=120, H=1200
Dimension with Packing (mm)	L=1700, W=300, H=1130
Net Weight (kg)	86
Weight with Packing (kg)	100
Cabinet Material	SUS304 Stainless Steel
Lid Material	SUS304 Stainless Steel + Acrylic
Barrier Material	Acrylic
Barrier Movement	Swing
Emergency Mode	Y
Ingress Protection	IPX4

## Optional functions



## Dimensions (mm)



\* Turnstile can work in the temperature of -20°C to 70°C. If the temperature is under -20°C, acrylic parts may be broken. (Temperature control device is optional to solve this problem.)

