

Dual Energy X-ray Inspection System

ZKX10080



Highlights

- Adjustable belt speed
- Large baggage and parcel screening
- Folding design for easy loading

Standard

- Fingerprint console board
- Dual monitor operation desk

Optional

- Video surveillance
- Face recognition
- Auto-start function
- Bi-directional scanning
- Rat expelling function

Introduction

ZKX10080 X-ray inspection system increases the operator's ability to identify potential threats; the device is designed to scan the objects up to a size of 100 × 80cm.

ZKX10080 uses reliable high quality dual energy X-ray generator. With the superb image algorithm, ZKX10080 could offer clear scanning image, which allows operators to identify potential threat items visually. Also, ZKX10080 equipped with a lowered conveyor height to make it easier to put the luggage on.

ZKX10080 has innovative biometric identify function for operators, improving the security of system and preventing operator from forgetting password.

The conveyor could be folded to reduce the package volume so that could save the transportation cost. With modern designed side door, the maintenance would be much easier.

Specifications

Tunnel Size	W1006mm × H803mm
Speed	0.2 - 0.4 m/s
Height of Transmission Belt	370 mm
Maximum Load	200 kg (Adequate distribution)
Wire Resolution	38 AWG
Space Definition	Horizontal Φ 1.0mm \ Vertical Φ 2.0mm
Penetrate Definition	32 AWG
Penetration	34mm steel board
Monitor	21.5 inch LED X 2
System Function	High density alert, Explosive/ Drug auxiliary detect, TIP, Luggage counter, date/time display, User management, Training.
Film Safety	ASA/ISO1600 standard of film safety

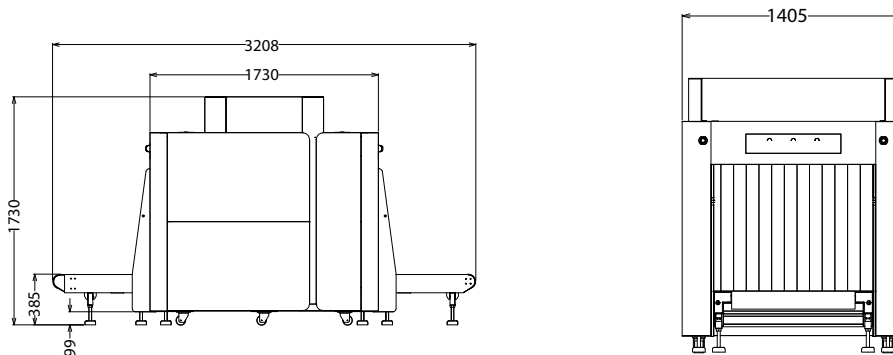
X-ray System

Tube Voltage	160 Kv
Cooling	Seal oil cooling / 100%
Radiation Leak Dosage	0.2 μ Gy/h (5cm from the surface)

Installation Specification

Package Size	L2200mm × W1500mm × H1750mm
Package Size of Console Desk	L1320mm × W900mm × H1320mm
Package Weight	1150KG+135KG (Console desk)
Power Consumption	1 kVA
Noise	53.8 dB(A)

Dimension



More details

ZKTeco Middle East
www.zkteco.me
 E-mail: zk_me@zkteco.com

© Copyright 2017. ZKTECO CO., LTD. ZKTeco Logo is a registered trademark of ZKTECO CO., LTD. or a related company. All other products and company names mentioned are used for identification purposes only and may be the trademarks of their respective owners. All specifications are subject to change without notice. All rights reserved.

